
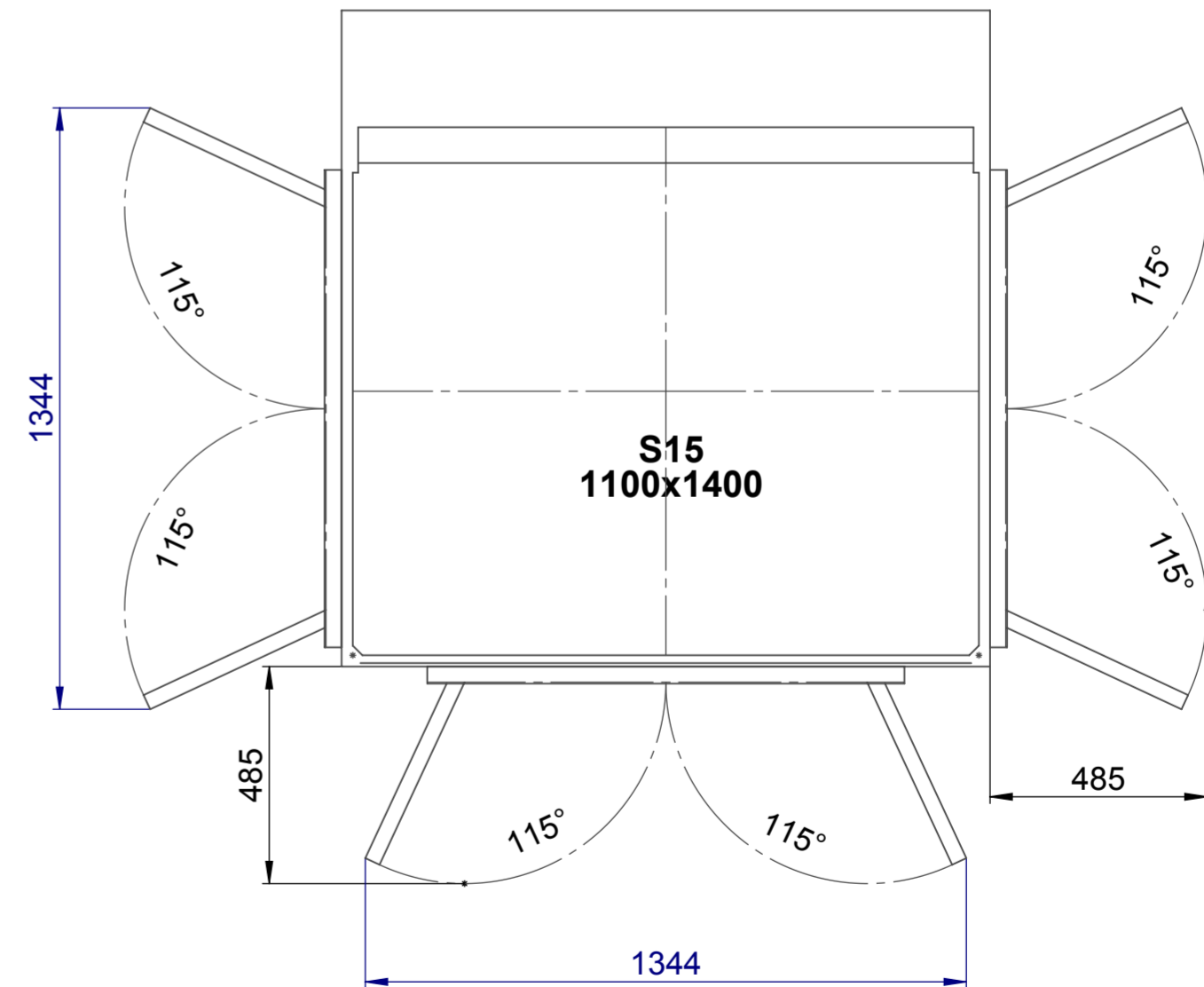
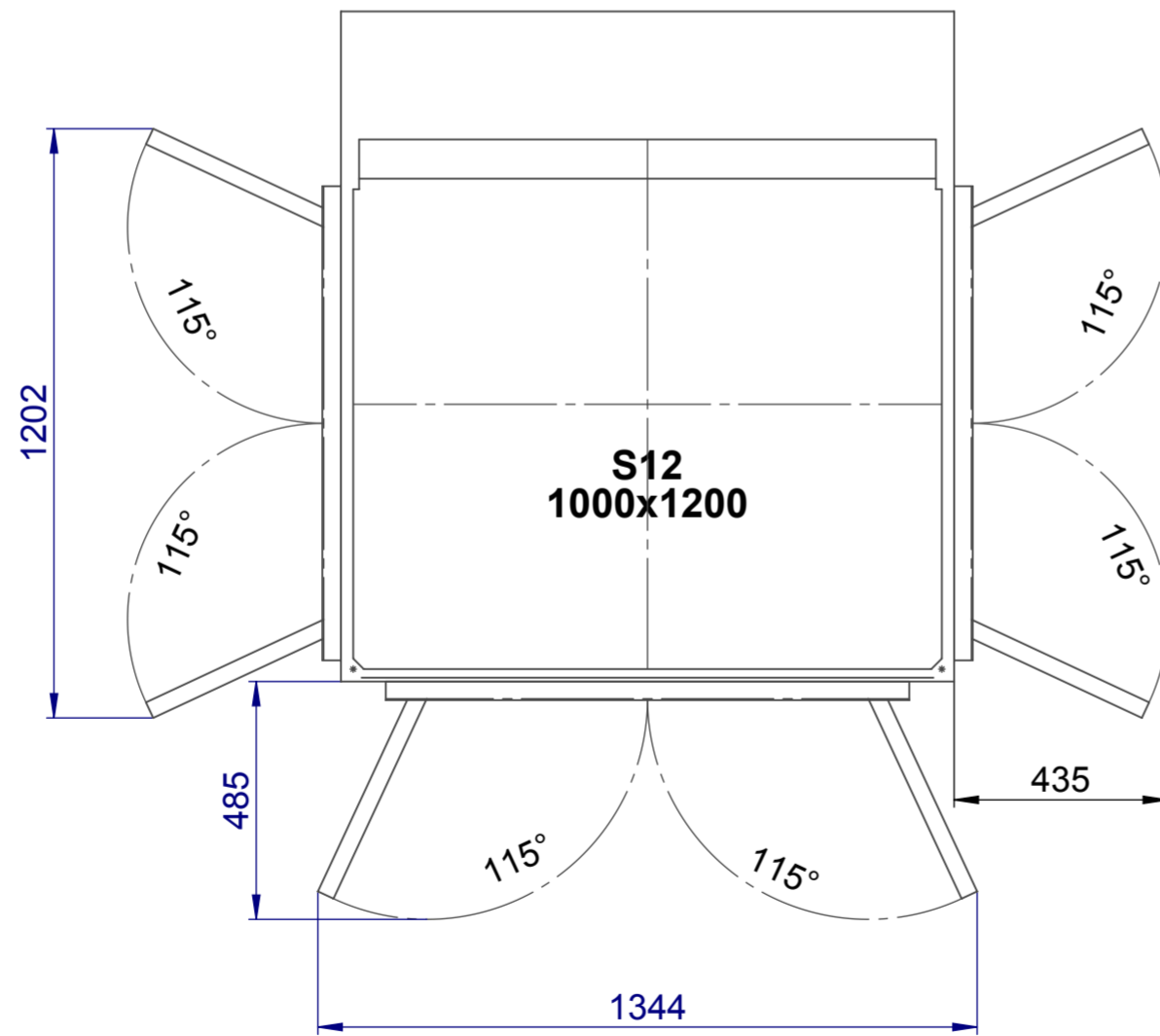
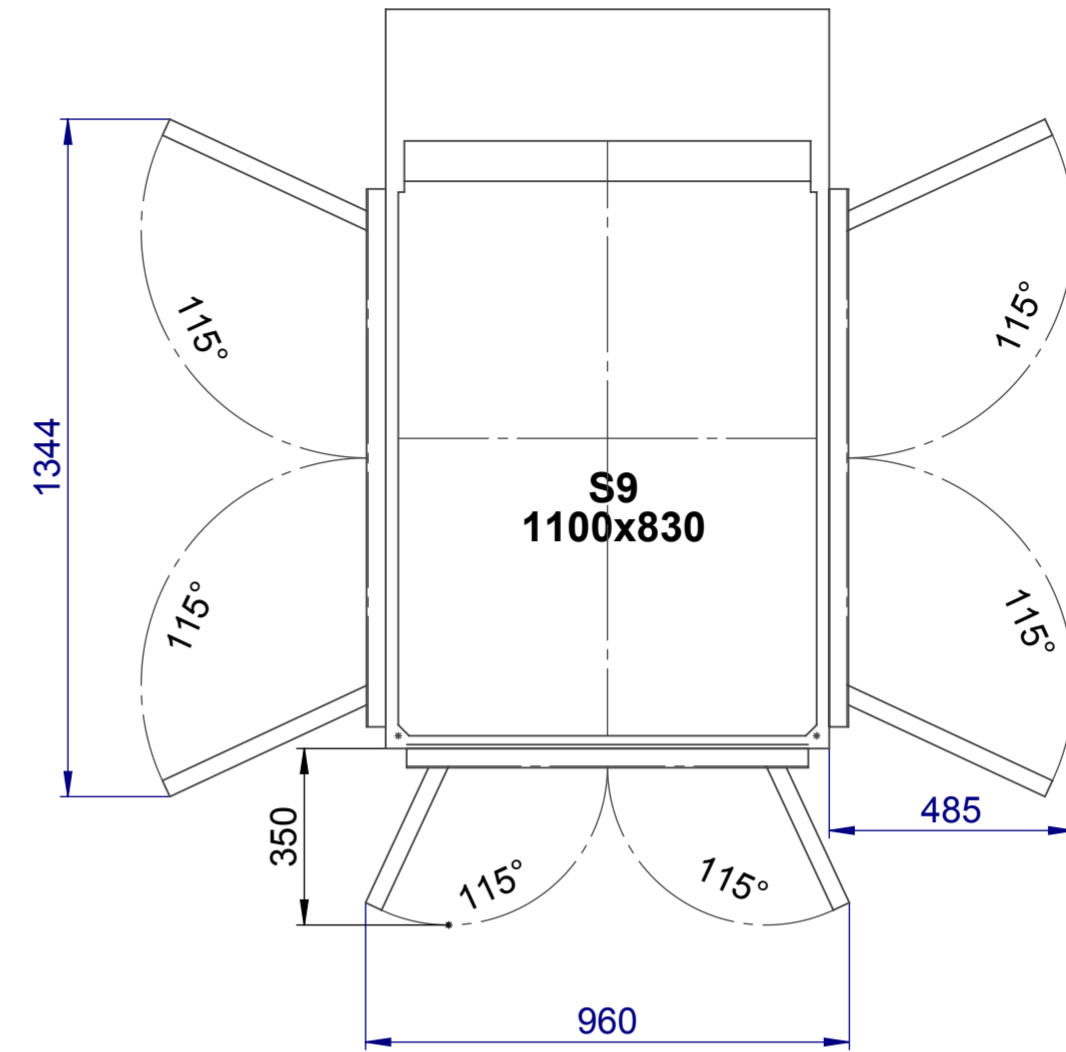
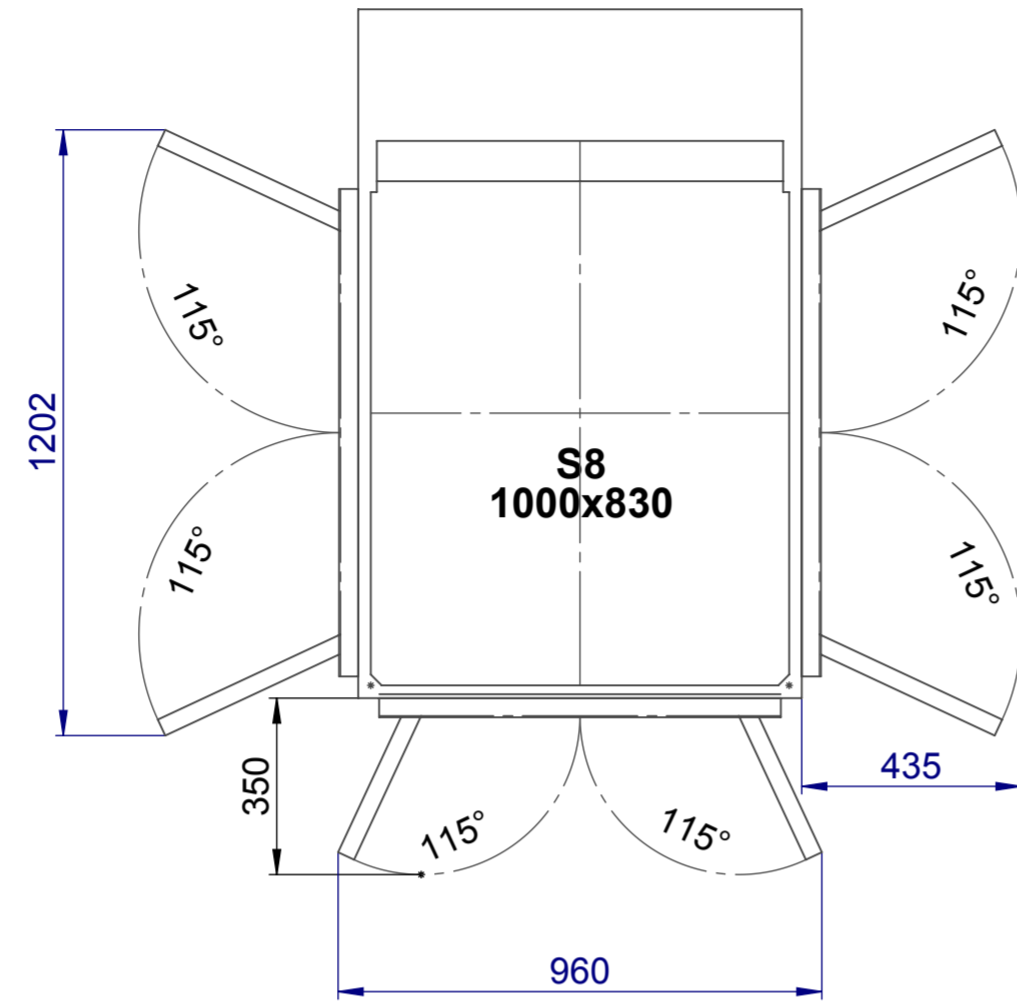
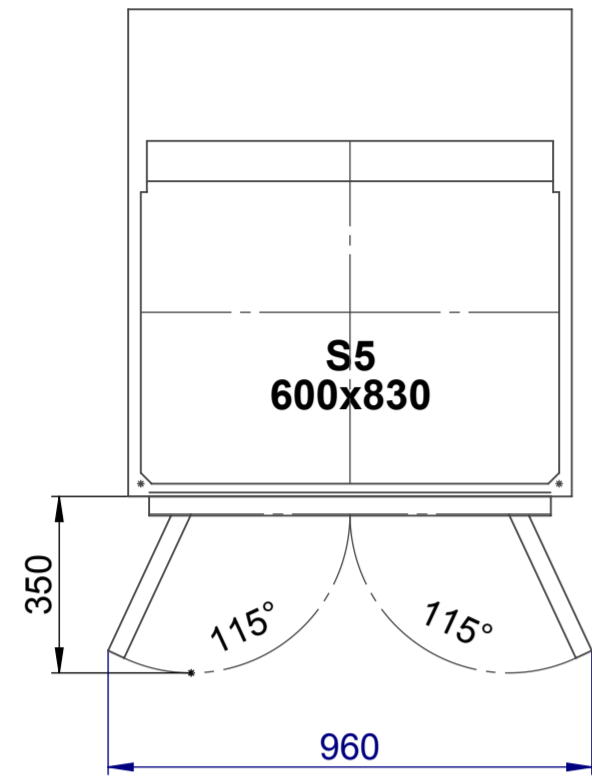



Material:		Surface treatment:		None	
 ARITCO <small>INSPIRING MOTIONS</small>	Designed by:	Designed date:	Changed by:	Changed date:	General tolerance
	PJ	2015-10-21	PJ	2016-10-25	SS-ISO 2768-1
AHL storlekar AHL sizes				Coarse	Projection
Drawing number.Revision AHL Sizes				Revision	Sheet
				A	1/2



Material:		Surface treatment:		None		
	Designed by:	Designed date:	Changed by:	Changed date:	General tolerance	
	PJ	2015-10-21	PJ	2016-10-25	SS-ISO 2768-1	
AHL storlekar AHL sizes					Coarse	Projection
					Drawing number.Revision AHL Sizes	Revision Sheet A 2/2