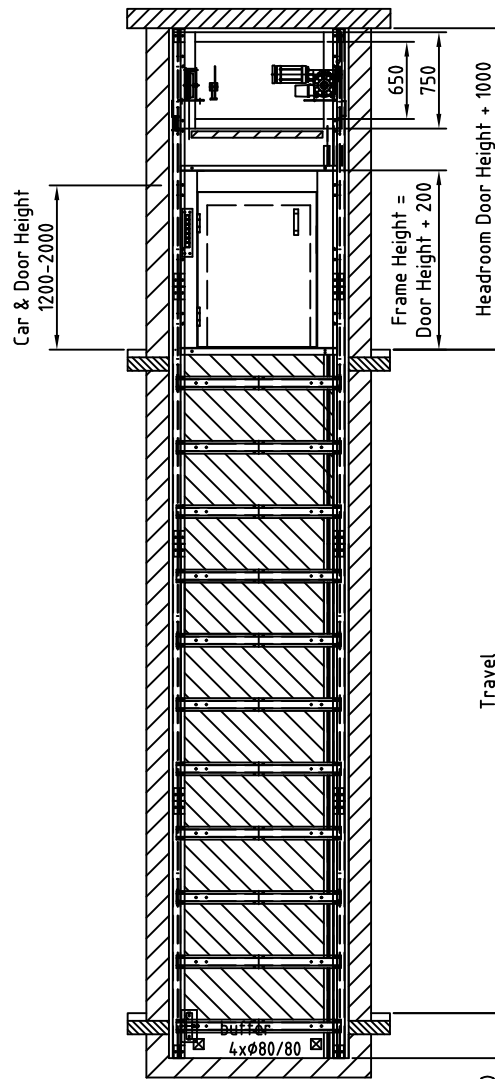


View A

Car & Door Height
1200-2000



View B

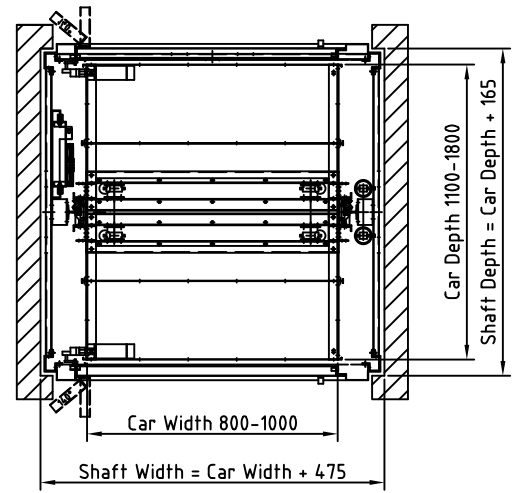
Car & Door Height
1200-2000

Frame Height =
Door Height + 200

Headroom Door Height + 1000

Travel

Pit 200



Car Width 800-1000

Shaft Width = Car Width + 475

Car Depth 1100-1800

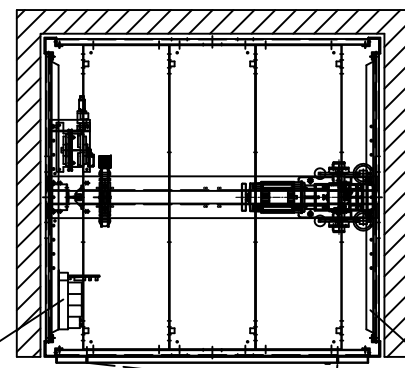
Shaft Depth = Car Depth + 165

View C

View A

View B

Shaft Plan



machine room access

DW >=800: double swing door

Machine Room Plan

Control panel

MR-Light

Typical List of builders works by others

1. Provide electrical supply external to the machine room in the form of a 415v, 3ph, 50hz 5 wire supply protected by a 16amp Motor Rated MCB terminated in an isolator.
2. Provide a 230v spur adjacent to the isolator.
3. Machine room access by ladder or hop up following risk assessment.
4. Shaft enclosure to fixed AFTER installation of lift, else leave front wall down at all levels.
5. Shaft enclosure and shaft ventilation to be in accordance with local authority requirements.
6. Structure shall not carry buildings forces. Structure to be fixed to building fabric at each floor level and at the top of the shaft.
7. Provide 1000 kg SWL lifting eye central above shaft
8. Temperature in MR room shall be between +5 ° to 40 ° constantly
9. Provide a tower scaffold or working platforms. To be agreed at contract stage.
10. Provide storage space on site and assistance to off load.
11. Note lift car delivered and installed in one section access space required.
12. Provide barriers at each floor to guard against fall hazards
13. Provide 110v temp. lighting & power
14. Protect building fabric during egress of materials, disposal of packaging
15. Provide assistance with off loading and distribution of materials.
16. Provide a pit as shown capable of withstanding the lift forces.
17. Disposal of all off cuts and packaging.
18. If fire rated entrances are required entrance front wall is to be in accordance with EN81-58.

Car Internal depth and door opening width are dependent of the type of car door protection. Please consult Niche Lifts for details.

Car width and depth available in 25mm increments. Car height available in 100mm increments

Issued for information only, not to be used for construction

BY	DATE	ISSUE	MODIFICATION	CHECKED
TMP	10.12.18	B	Redrawn	

NICHE 750-1000kg GOODS ONLY LIFT with VARIABLE CAR DIMENSIONS THROUGH LOADING with SINGLE SWING DOORS TYPICAL LAYOUT & BUILDERS WORK

NICHE LIFTS Ltd

Do not scale this drawing. All dimensions in millimetres

DRAWN BY	DATE	CHECKED	SCALE
TMP	25.11.14		NTS

DRAWING NUMBER

1777/B