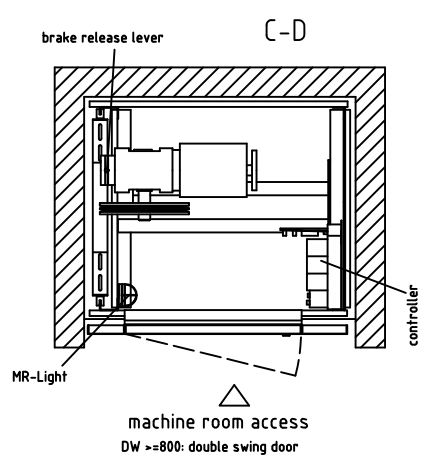
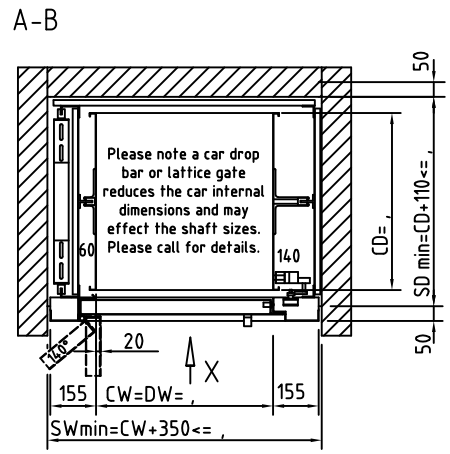


Accessible space underneath shaft is not permitted



Typical List of builders work by others

1. Provide electrical supply to machine room in the form of a 415v, 3ph, 50hz 5 wire supply protected by a 16amp Motor Rated MCB, together with a 230v spur.
2. Machine room access by ladder
3. Form a pit as shown.
4. Shaft enclosure to fixed AFTER installation of lift, else leave front wall down at all levels
5. Shaft enclosure and shaft ventilation to be in accordance with local authority requirements
6. Structure shall not carry buildings forces. Structure to be fixed to building fabric, in the pit, at each level and at the top of the shaft.
7. Provide 500 kg SWL lifting eye central above shaft
8. Temperature in MR room shall be between +5 ° to 40 ° constantly
9. Provide scaffold boards depth of shaft + 150, 3-off every 2 metres
10. Provide storage space on site and assistance to off load.
11. Note lift car delivered and installed in one section access space required
12. Provide barriers at each floor to guard against fall hazards
13. Provide 110v temp. lighting & power
14. Protect building fabric during egress of materials, disposal of packaging
15. Provide assistance with off loading and distribution of materials.
16. Clad shaft shaft following installation.
17. Removal from site of packaging materials and off cuts.
18. If fire certified entrances are specified the front wall of the lift shaft is to be constructed in high density block work as per EN 81:58.

	increments 50 mm
CW= car width	500 - 1000mm
CD= car depth	600 - 1000mm
CH= car height	800 - 1200mm

P= Pit  
 SW= Shaft width  
 SD= Shaft depth  
 HR= Headroom clear  
 FFL= Finished floor level  
 CO= overrun  
**ATTENTION**  
 Cabin protection reduces clear entrance openings resp. shaft sizes  
 Service lift code acc. to acknowledgement  
 All dimensions in "mm", DO NOT SCALE

BY	DATE	ISSUE	MODIFICATION	CHECKED
TMP	05.12.18	B	Redrawn	

NICHE 100 KG TROLLEY LIFT FRONT LOADING W/O SAFETY GEAR  
 (Issued for information only)

NICHE LIFTS Ltd		DRAWN BY	DATE	CHECKED	SCALE
Do not scale this drawing. All dimensions in millimetres		TMP	15.5.07		NTS
DRAWING NUMBER					
1186/B					