

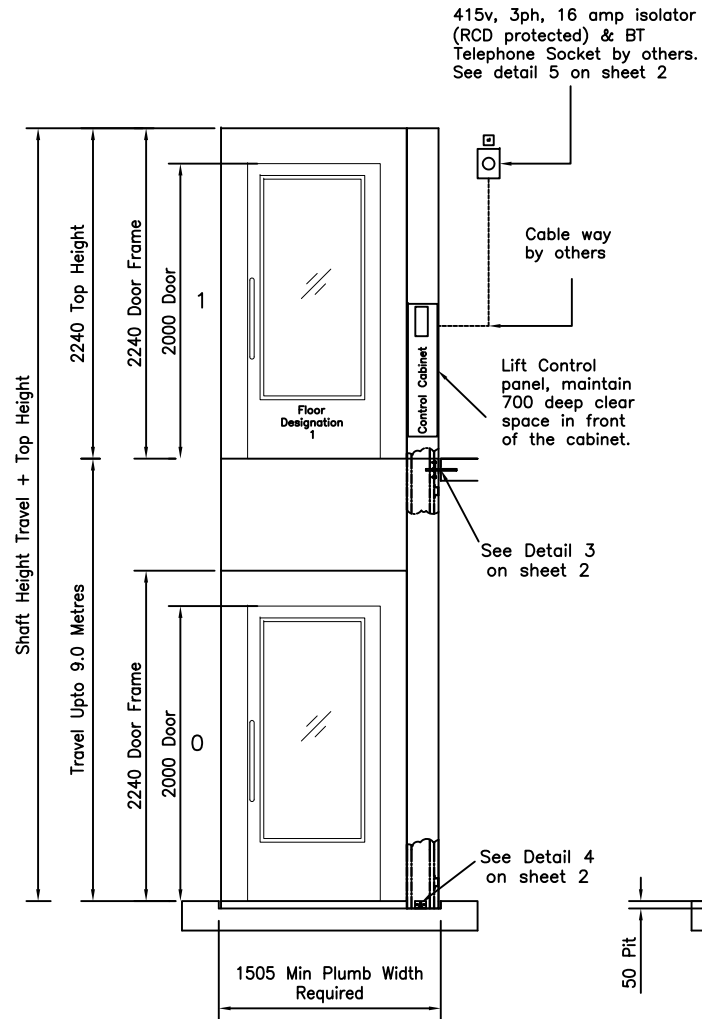
Rated Load	410kg
Supply	415v 3ph 16 amp Type C, 30mA RCD protected
Running Current	4.7 amps
Starting Current	18 amps
Platform Size	1100 wide x 1480 deep

Pit	50 deep
Door Level 0	GL Non Fire Rated
Door Level 1	GL Non Fire Rated
Door Level 2	N/A
Communication	Telephone/Autodialer

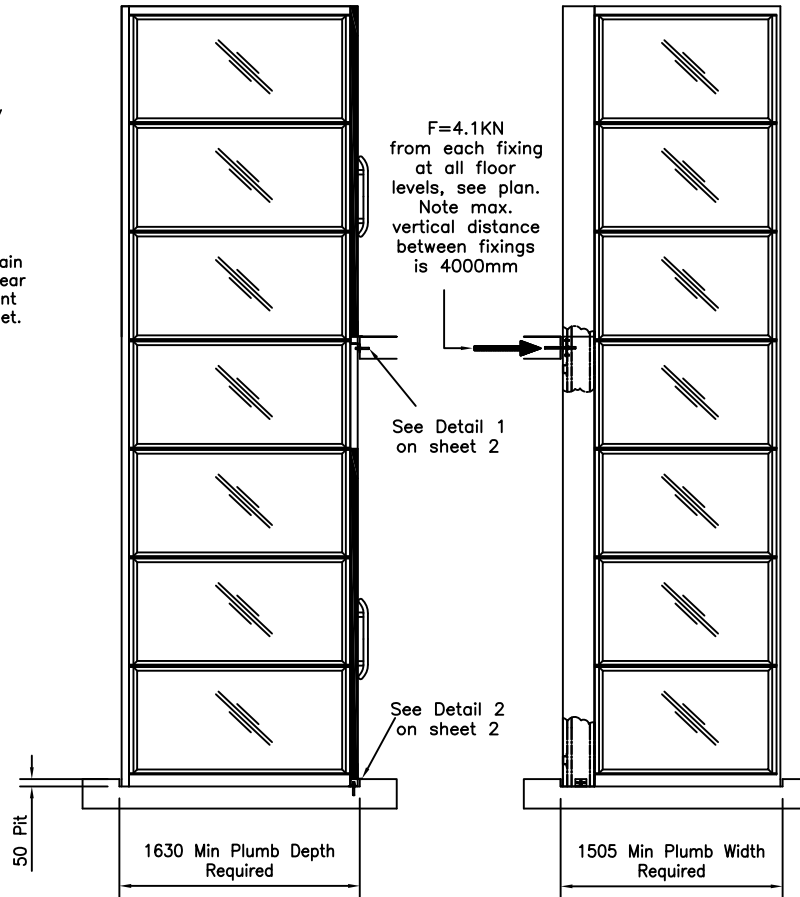
Enclosure Colour	RAL 9016
Door Colour	RAL 9016
Door Frame Colour	RAL 9016
Machine Side Cladding	Not Included
Lift Serial No.	Advised at Contract Stage

Only those areas marked thus are fire rated

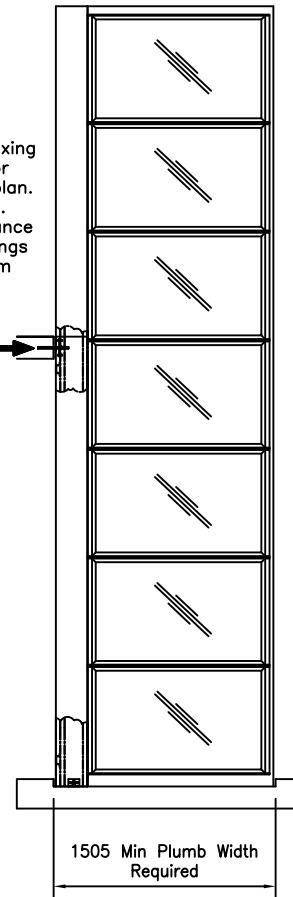
\* Note this lift is also available for a 230v, 1ph, 20 amp supply, please call for details



View A



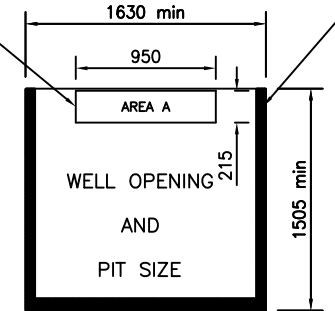
View B



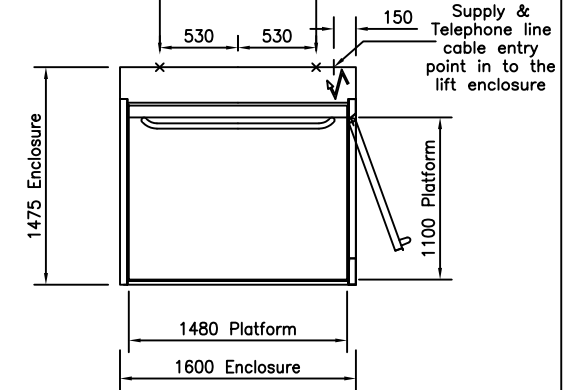
View C

Load on the pit floor is 14KN applied to area A

Load around the shaft perimeter 13KN



Fixing of support frame to the building fabric at each floor and with a maximum pitch of 4000. Reaction = 4.1Kn per fixing.



View C  
View B  
View A

Issued for information only

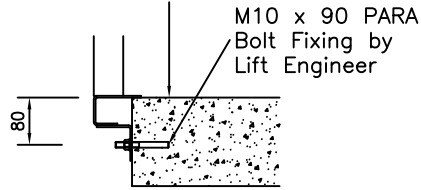
BY	DATE	ISSUE	MODIFICATION	CHECKED
TMP	28/10/04	B	GENERAL UPDATE	
TMP	21.9.05	C	Pit loadings Amended	
TMP	31.10.06	D	Re drawn	
TMP	3.4.13	E	Re drawn	
TMP	27.4.17	F	Re drawn	

Platform Lift Standard Layout & Builders Works  
Front Opening With 1100 Wide Platform Glazed Enclosure

NICHE LIFTS LTD Office 15 & 16, 12 Farwig Lane, Bromley, Kent. BR1 3RB Tel: 020 8295 2852  
e-mail: contracts@nichelifts.com Web Site: www.nichelifts.com

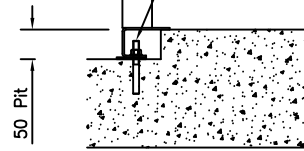
NICHE LIFTS Ltd	DRAWN BY	DATE	CHECKED	SCALE
	TMP	31.10.06		NTS
Do not scale this drawing. All dimensions in millimetres	DRAWING NUMBER			
	1028/F Sheet 1 of 2			

Concrete or timber threshold by others

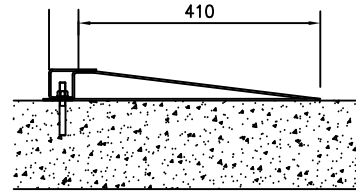


Detail 1 Upper Floor(s)  
Entrance Sill Fixing

M10 x 90 PARA Bolt Fixing by Lift Engineer

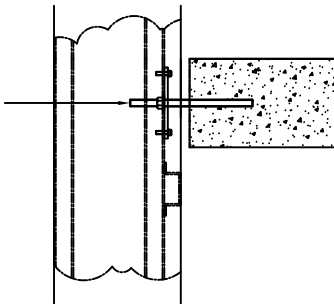


Detail 2 Bottom Floor  
Entrance Sill Fixing with  
a Pit



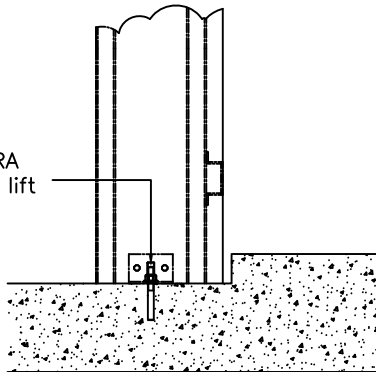
Detail 2 Bottom Floor  
Entrance Sill Fixing  
without a Pit

M12 Rawlshield Bolt Fixing by Lift Engineer in floor slab and intermediate support by others



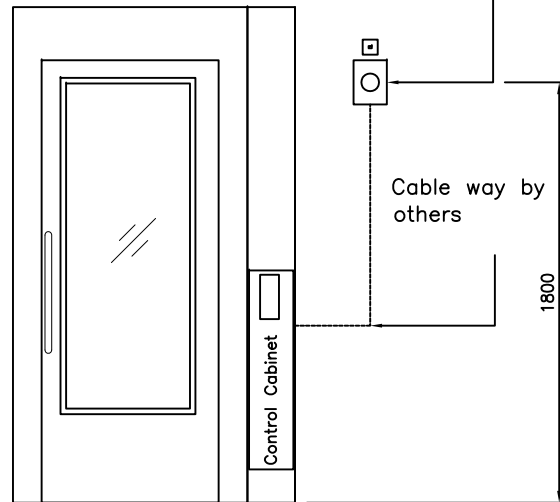
Detail 3 Mast Fixing  
Detail View A

M10 x 90 PARA Bolt Fixing by lift engineer



Detail 4 Mast Fixing  
Detail in the Pit View A

415v, 3ph, 16 amp isolator (RCD protected) & BT Telephone Socket by others.



Detail 5 Isolator &  
Telephone Point Location  
at Level 2

SCHEDULE OF WORKS BY OTHERS

1. Provide a base the same size as the lift shaft capable of carrying the loads as indicated on our drawings. Base to be painted with oil based paint. Note the base is visible when the platform is at the upper levels.
2. Provide a 50 mm deep pit.
3. Ensure that the structure fixing points can withstand the loads as indicated on our drawings.
4. Provide a well opening as shown on our drawings with nosing's at each level for door frame fixing.
5. Provide a 415v, three phase, 16 amp type C, 30mA RCD protected supply terminated in an isolator at the top floor 1.8 m from FFL adjacent to the lift as shown. Note the isolator must be capable of being locked in the off position. Or (please see the specification for the exact requirements) Provide a 230v, single phase, 16 amp type C, 30mA RCD protected supply terminated in an isolator at the top floor 1.8 m from FFL adjacent to the lift as shown. Note the isolator must be capable of being locked in the off position. NOTE: If the supply is temporary a chargeable return visit will be required to carryout the final commissioning. If the temporary supply is provided by a generator the should be rated at 20KVA, with the supply cable terminated in the permanent isolator as above.
6. If the mast is positioned against a masonry wall the wall is to be dust sealed.
7. Provide a socket outlet near to the lift for service purposes.
8. Provide a lifting beam directly above the lift enclosure with a SWL of 500 kg.
9. Provide a clear access route for the equipment during installation.
10. Provide protection to the building finishes during egress of the materials.
11. Disposal of packaging material.
12. Provide 110v task lighting in the installation area if required.
13. Provide barriers if required at each floor to guard against fall hazards.
14. Provide a finished ceiling above the shaft enclosure together with a light fitting to ensure 50 lux lighting level on the platform (note required if Niche Lifts are to provide a shaft enclosure ceiling)
15. Provide a dedicated analogue telephone line point at the top floor adjacent to the isolator for the platform emergency telephone.
16. Make good the lift enclosure to the building fabric as required. Do not drill fix to the lift enclosure.
17. Provide a tower scaffold to enable the engineer to fix the mast to the building fabric.
18. Provide FFL datum at each door opening.
19. Provide structural openings at each level served full width of the shaft 2300 mm high to allow for door frame installation.
20. Fire clad the lift shaft enclosure up to our door panels at each level to maintain the necessary fire rating. Please note the fire cladding must not be drill fixed to our enclosure.
21. Provide assistance in off loading and distribution of equipment.

Issued for information only

BY	DATE	ISSUE	MODIFICATION	CHECKED
TMP	28/10/04	B	GENERAL UPDATE	
TMP	21.9.05	C	Pit loadings Amended	
TMP	31.10.06	D	Re drawn	
TMP	3.4.13	E	Re drawn	
TMP	27.4.17	F	Re drawn	

Platform Lift Standard Layout & Builders Works  
Front Opening With 1100 Wide Platform Glazed Enclosure

NICHE LIFTS LTD Office 15 & 16, 12 Farwig Lane, Bromley, Kent. BR1 3RB Tel: 020 8295 2852  
e-mail: [contracts@nichelifts.com](mailto:contracts@nichelifts.com) Web Site: [www.nichelifts.com](http://www.nichelifts.com)

**NICHE LIFTS Ltd**

Do not scale this drawing. All dimensions in millimetres

DRAWN BY	DATE	CHECKED	SCALE
TMP	31.10.06		NTS
DRAWING NUMBER			
1028/F Sheet 2 of 2			