

## Vertical Enclosed Hydraulic Platform Lift



- **Part M compliant**
- **Up to 6 metres travel**
- **Shaft enclosure**
- **No pit required**
- **Low running and service costs**
- **Various door arrangements**
- **Fast delivery & installation**

Niche..... Our passion and purpose is the supply of specialist lifts that enable wheelchair users and the less able gain access to upper floors and up stairways, plus service, trolley and goods lifts for transporting goods in the range 5kgs to 2000kgs

We supply, install and service Niche products that meet your specific needs.

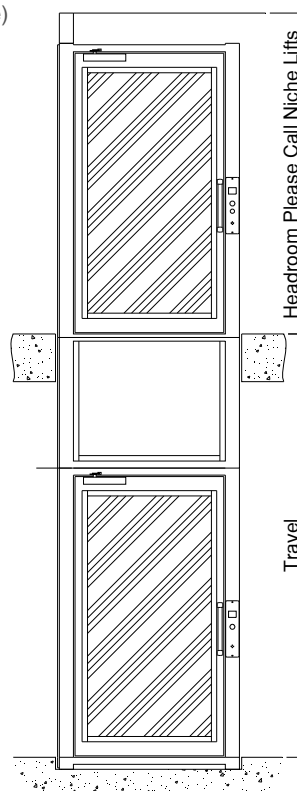
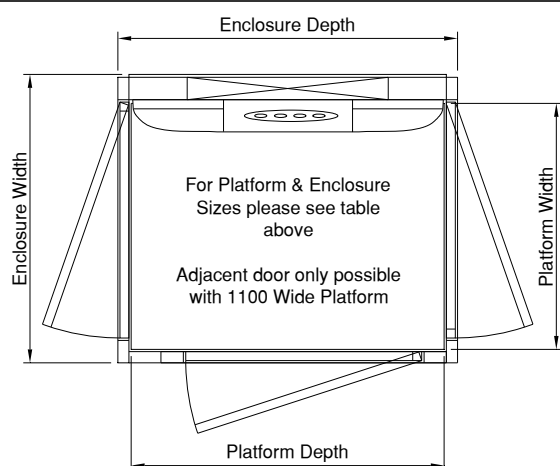
NICHE LIFTS—Focus and expertise working uniquely for YOU on Niche Products.

# Vertical Enclosed Hydraulic Platform Lift

|                           |  |
|---------------------------|--|
| <b>Model Type</b>         | Disabled access platform lift  |
| <b>Rated Load</b>         | Up to 400 kg   |
| <b>Rated Speed</b>        | 0.1 m/s  |
| <b>Drive Type</b>         | Hydraulic direct acting  |
| <b>Number of Stops</b>    | Up to 3 stops  |
| <b>Power Supply</b>       | 230v, 1 phase, 50hz  |
| <b>Travel</b>             | Up to 6.0 metres   |
| <b>Pit</b>                | 85mm, if a pit is not available we can supply a ramp   |
| <b>Emergency Alarm</b>    | Hands free Autodialer on the platform  |
| <b>Controls</b>           | Constant pressure buttons designed for user with reduced mobility on platform and one touch controls on the landings.<br>Emergency stop and alarm buttons on car.<br>Voice synthesizer and position indicator. |
| <b>Configuration</b>      | Single entry or through car or adjacent please see drawings for configurations and platform sizes.   |
| <b>Door Type</b>          | Large glazed door panel as standard.   |
| <b>Shaft Enclosure</b>    | Standard freestanding structure with powder coated finish to four standard colour choices with glazed panels as required   |
| <b>Platform Flooring</b>  | Slip resistant surface.  |
| <b>Sensitive Edges</b>    | Fitted around the platform as a safety feature, which will immediately stop the platform if contact is made.   |
| <b>Emergency Lowering</b> | Battery backed emergency lowering to the lowest floor together with an emergency manual lowering valve   |
| <b>Options</b>            | <b>External model</b><br>Battery operation for a maximum of seven journeys<br>Powered door openers<br>0.15m/s rated speed<br>Key access control<br>Fire rated landing doors                                    |
| <b>Standards</b>          | EN 81-41<br>Machinery Directive 2006/42/EC<br>Building Regulations Part M (Subject to platform size)   |
| <b>Documentation</b>      | Owners guide issued on completion.   |
| <b>Training</b>           | Operation demonstrated on completion.  |



| Platform Size               | Required Shaft size         |
|-----------------------------|-----------------------------|
| 1400 mm deep x 1100 mm wide | 1550 mm deep x 1320 mm wide |
| 1400mm deep x 900 mm wide   | 1550 mm deep x 1120 mm wide |
| 1250 mm deep x 900 mm wide  | 1400 mm deep x 1120 mm wide |



**Niche**<sup>TM</sup>  
Lifts

Niche Lifts Ltd  
Office 15-16  
12 Farwig Lane  
Bromley, Kent  
BR1 3RB

Tel 020 8295 2852  
Fax 020 8466 1695

[www.nichelifts.com](http://www.nichelifts.com)



Visit us at [www.nichelifts.com](http://www.nichelifts.com)

The information contained in this brochure was correct at the time of printing, due to continued development of our products we reserve the right to change the specification without prior notice