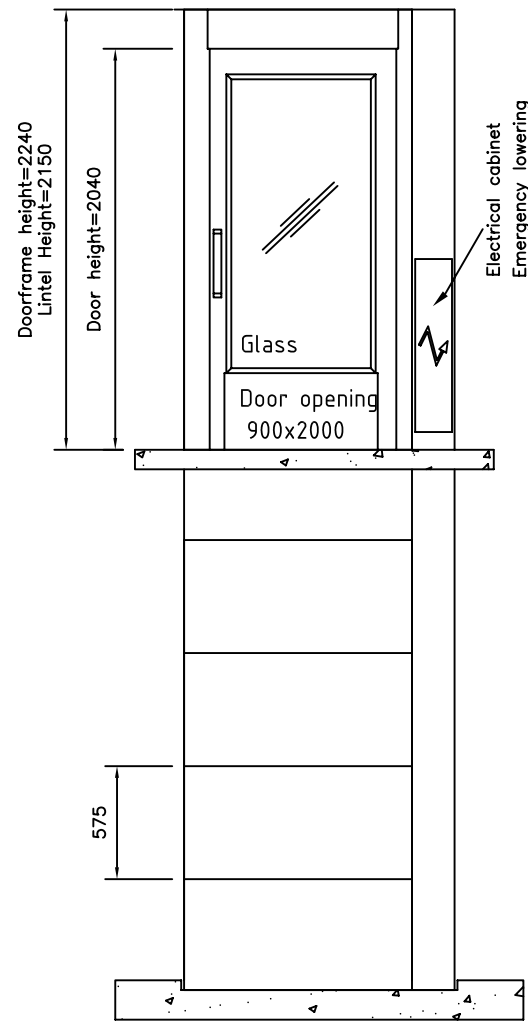
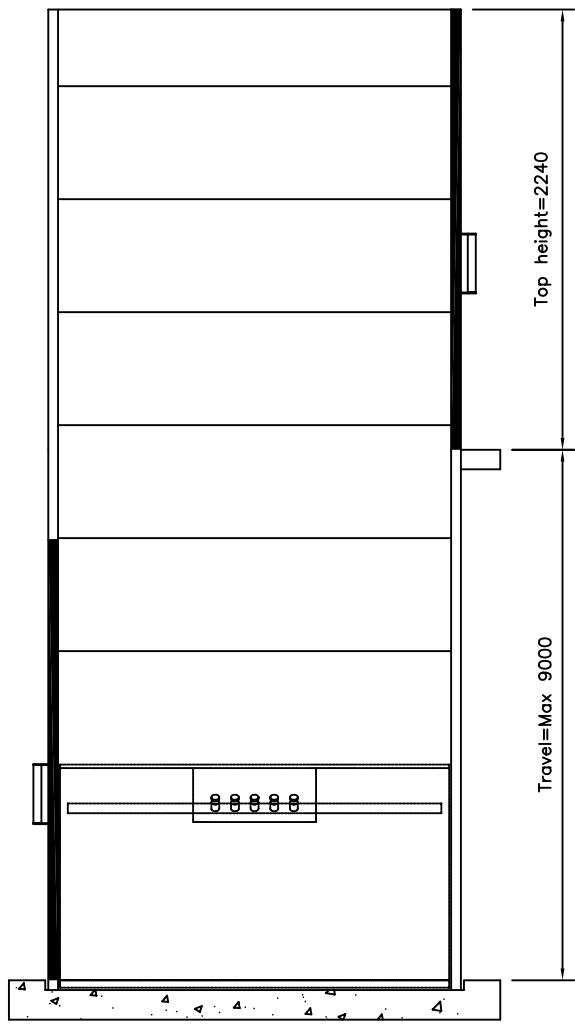


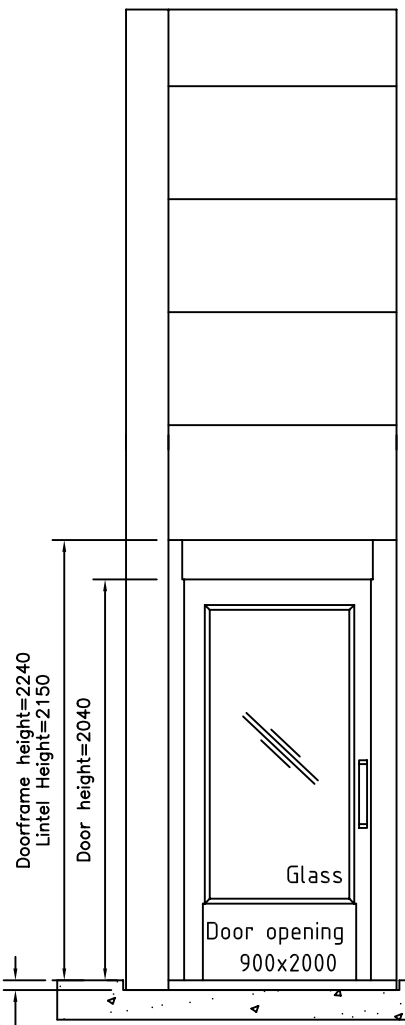
LOAD ON PIT FLOOR IS 18KN PRESSURE
IS 87 KN/m² APPLIED TO AREA A



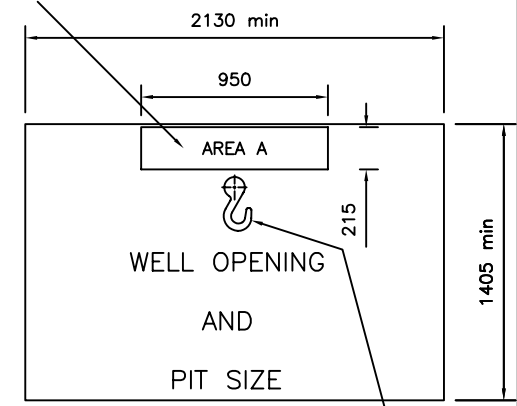
View A



View B

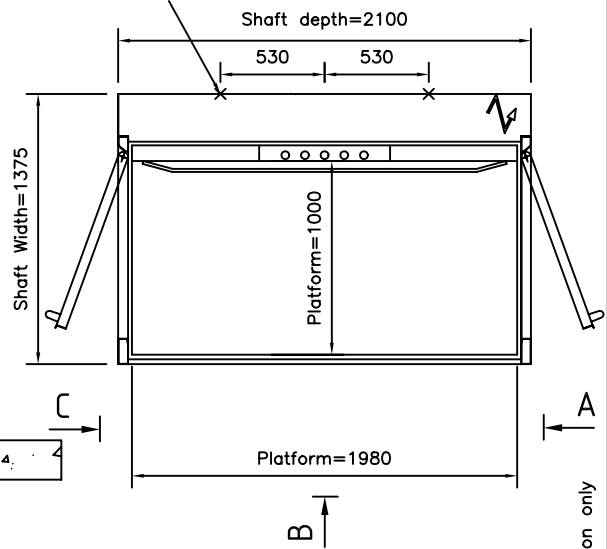


View C



FIXING OF SUPPORT FRAME TO THE WALL AT EACH FLOOR LEVEL REACTION=2.5KN

LIFTING HOOK OR BEAM 2300 MM ABOVE FFL 500 KG SWL



Type	Disabled Access Platform Lift	Supply	400v 3 Phase 50 Hz
Drive	Screw Drive	Running Current	4.7 amps
Rated Load	400 Kg	Starting Current	18 amps
Travel	Maximum of 9.0 metres	Enclosure	Steel Panels RAL 9003
No. of Stops	Maximum of 5 Stops	Door Type	GL Manual
Configuration	Front Opening	Door Fire Rating	None

WORKS BY OTHERS & STRUCTURAL LOADINGS
SEE DRAWING NO. 1122 FOR A GENERAL LIST OF WORKS BY OTHERS.

Issued for information only

BY	DATE	ISSUE	MODIFICATION	CHECKED

PLATFORM LIFT STANDARD LAYOUT
FRONT OPENING WITH 1000 x 1980 PLATFORM STEEL ENCLOSURE

NICHE LIFTS LTD 82 St Georges Road West, Bromley, Kent. BR1 2NP Tel: 020 8295 2852 Fax: 020 8467 1044
e-mail: sales@nichelifts.co.uk Web Site: www.nichelifts.co.uk

NICHE LIFTS Ltd		DRAWN BY	DATE	CHECKED	SCALE
Do not scale this drawing. All dimensions in millimetres		TMP	24.4.07		NTS
DRAWING NUMBER					
1070/A					