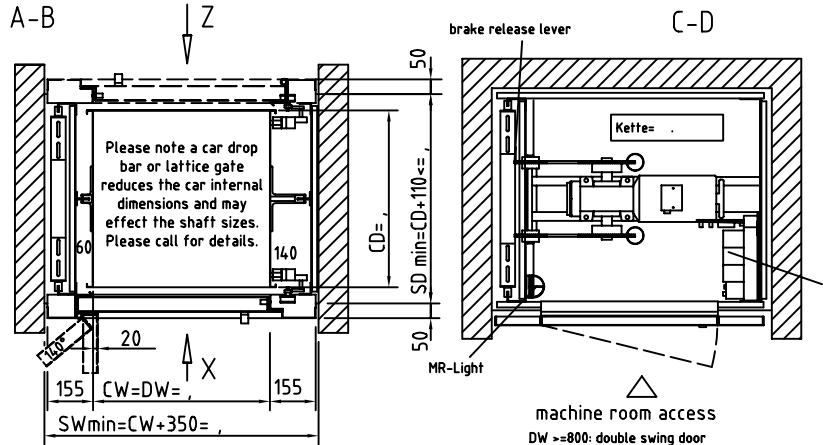


Accessible space underneath shaft is not permitted



Typical List of builders work

1. Provide electrical supply to machine room in the form of a 415v, 3ph, 50hz 5 wire supply protected by a 16amp Motor Rated MCB, together with a 230v spur.
2. Machine room access by ladder
3. Shaft enclosure to fixed AFTER installation of lift, else leave front wall down at all levels
4. Shaft enclosure and shaft ventilation to be in accordance with local authority requirements
5. Structure shall not carry buildings forces. Structure to be fixed to building fabric
6. Provide 500 kg SWL lifting eye central above shaft
7. Temperature in MR room shall be between +5 ° to 40 ° constantly
8. Provide scaffold boards depth of shaft + 150, 3-off every 2 metres
9. Provide storage space on site and assistance to off load.
10. Note lift car delivered and installed in one section access space required
11. Provide barriers at each floor to guard against fall hazards
12. Provide 110v temp. lighting & power
13. Protect building fabric during egress of materials, disposal of packaging
14. Provide assistance with off loading and distribution of materials.
15. Clad shaft following installation.

| | |
|----------------|------------------|
| | increments 50 mm |
| CW= car width | 500 - 1000mm |
| CD= car depth | 600 - 1000mm |
| CH= car height | 800 - 1200mm |

P= Pit
 SW= Shaft width
 SD= Shaft depth
 HR= Headroom clear
 FFL= Finished floor level
 CO= overrun
ATTENTION
 Cabin protection reduces clear entrance openings resp. shaft sizes
 Service lift code acc. to acknowledgement landing doors DIN 18090-92
 All dimensions in "mm", DO NOT SCALE

| BY | DATE | ISSUE | MODIFICATION | CHECKED |
|-----|---------|-------|---------------------|---------|
| TMP | 11.7.07 | B | Shaft width amended | |
| | | | | |
| | | | | |

NICHE 200-300 KG TROLLEY LIFT THROUGH LOADING W/O SAFETY GEAR
 (Issued for information only)

NICHE LIFTS Ltd
 Do not scale this drawing. All dimensions in millimetres

| DRAWN BY | DATE | CHECKED | SCALE |
|----------|---------|---------|-------|
| TMP | 15.5.07 | | NTS |

DRAWING NUMBER
 1152/B