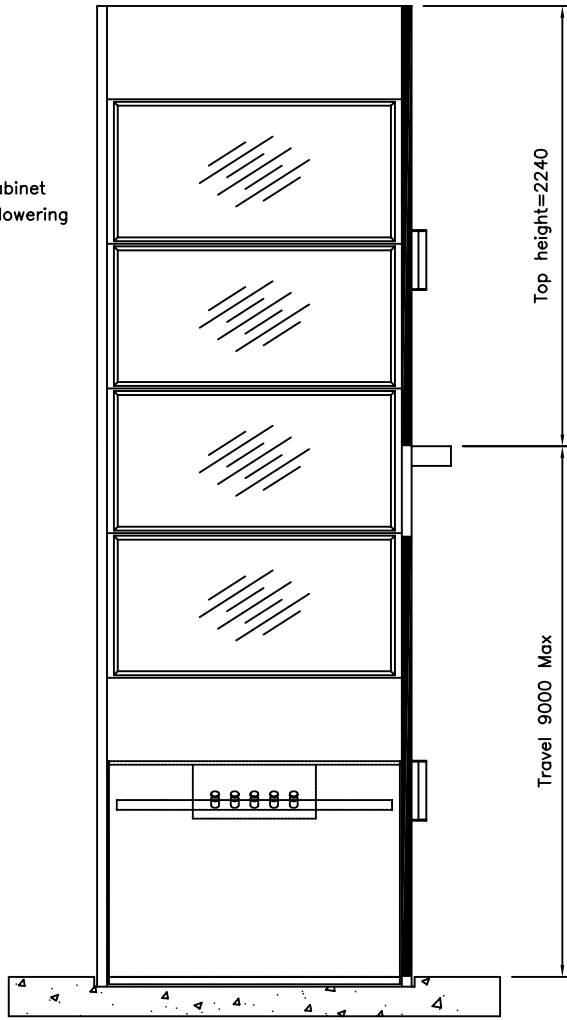
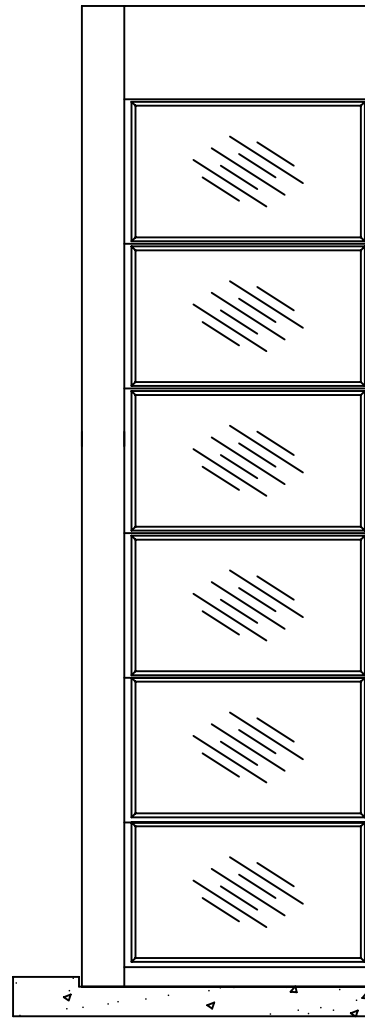


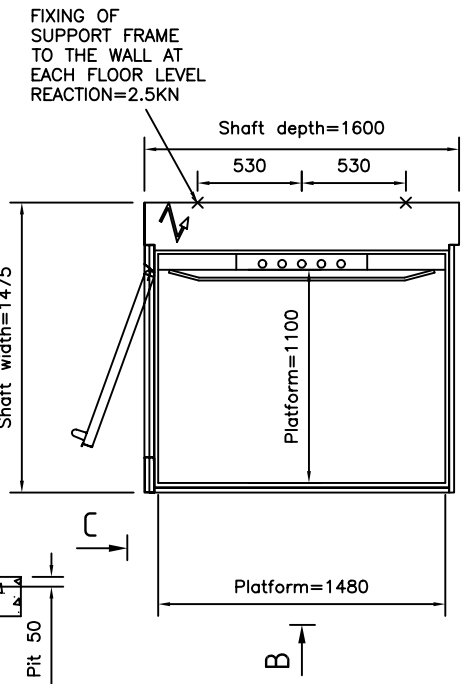
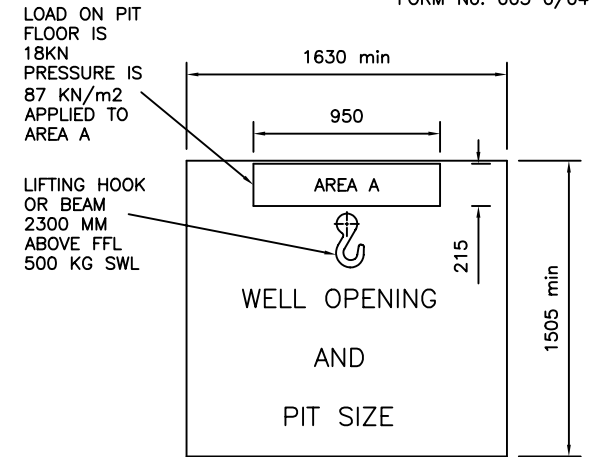
View A



View B



View C



| | | | |
|---------------|-------------------------------|------------------|-----------------------|
| Type | Disabled Access Platform Lift | Supply | 400v 3 Phase 50 Hz |
| Drive | Screw Drive | Running Current | 4.7 amps |
| Rated Load | 400 Kg | Starting Current | 18 amps |
| Travel | Maximum of 9.0 metres | Enclosure | Steel Panels RAL 9003 |
| No. of Stops | Maximum of 5 Stops | Door Type | GL Manual |
| Configuration | Front Opening | Door Fire Rating | None |

WORKS BY OTHERS & STRUCTURAL LOADINGS

SEE DRAWING NO. 1122 FOR A GENERAL LIST OF WORKS BY OTHERS.

Issued for information only

| BY | DATE | ISSUE | MODIFICATION | CHECKED |
|-----|----------|-------|----------------------|---------|
| TMP | 28/10/04 | B | GENERAL UPDATE | |
| TMP | 21.8.05 | C | Pit loadings Amended | |
| TMP | 31.10.06 | D | Re drawn | |

PLATFORM LIFT STANDARD LAYOUT
FRONT OPENING WITH 1100mm PLATFORM & GLAZED ENCLOSURE

| | | | | | |
|--|--|----------|----------|---------|--------|
| NICHE LIFTS Ltd | | DRAWN BY | DATE | CHECKED | SCALE |
| Do not scale this drawing. All dimensions in millimetres | | TMP | 31.10.06 | FWP | NTS |
| DRAWING NUMBER | | | | | 1028/D |